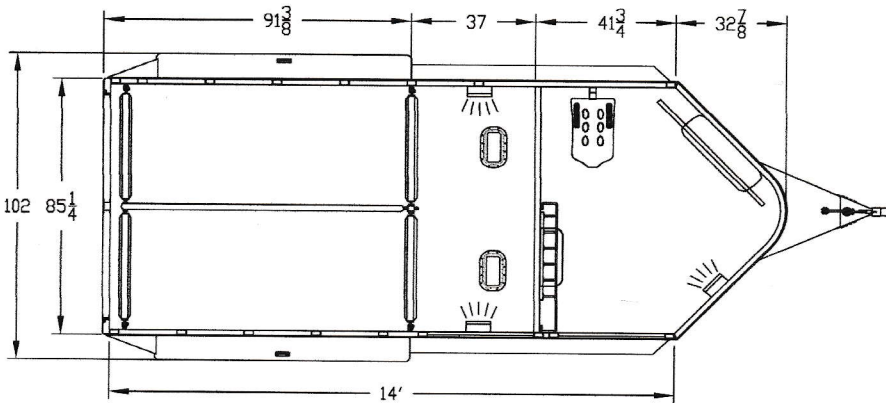
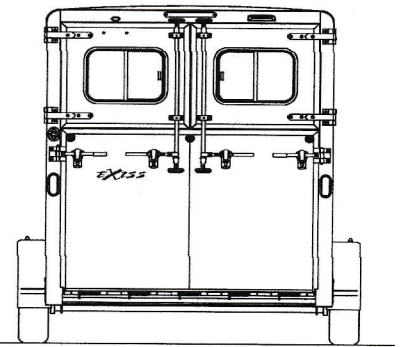
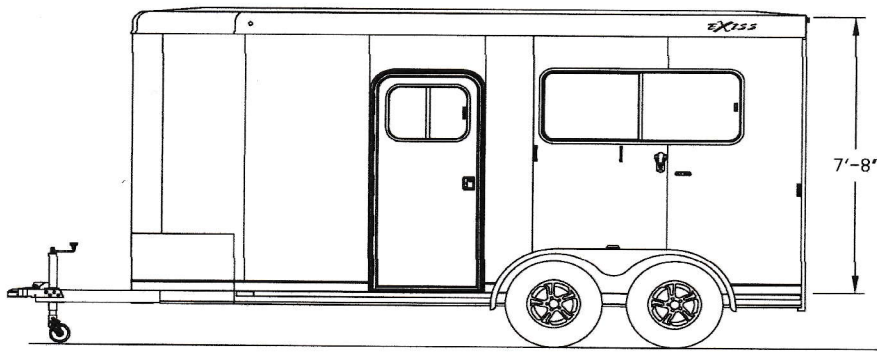
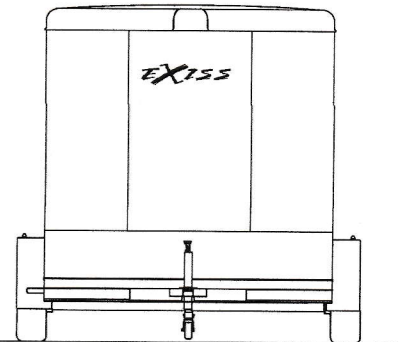
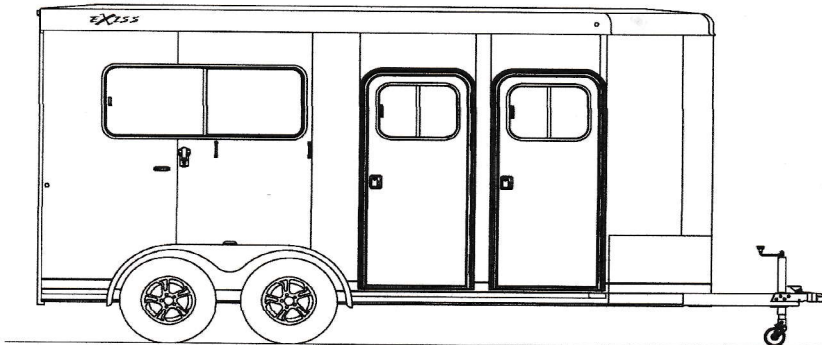


# EXISS 724 ST MODEL



724 ST  
FLOORPLAN



MODEL	SIZE	STALLS	GVWR	EMPTY WEIGHT	AXLES	MSRP
724 ST	7'0" X 14'0"	2H	7,000	3,100	(2) 3,500	\$ 37,380.00

# EXISS 724 ST TRAILER FEATURES

## CONSTRUCTION FEATURES

- 7'8" inside height – 7'0" outside width
- All aluminum construction w/ single piece aluminum roof
- Extruded plank flooring w/ 2" x 4" I-beams on 16" centers
- (2) 3,500 lbs. rubber torsion axles w/ electric brakes
- Aluminum V-hitch w/ 2 5/16" adjustable coupler
- Breakaway switch w/ battery and slip hook safety chains
- Five 15" 6 hole aluminum wheels w/ 8 ply import tires
- Spare tire w/ interior mount
- 2,000 lbs. top-wind jack w/ wheel
- Treadplate gravel guard 16" high on nose
- .040 white aluminum side sheets
- Full length running boards w/ tear-drop fenders
- LED brake and running lights
- LED load light at rear of trailer
- Solid wall separating dressing room from horse area
- Two outside tie rings per horse
- 3/8 transferable warranty

## HORSE AREA FEATURES

- Horse area walls insulated and lined w/ white aluminum
- Rubber installed 48" high w/ white aluminum lining above
- Aluminum kickplate behind rubber lining
- Two inside tie rings per horse
- Lifetime rubber floor mat in horse area
- One streetside 24" x 57" window w/ bars and screen
- One curbside 24" x 57" window w/ bars and screen
- One padded 7' divider w/ body and shoulder separator
- Hardware allows for (optional) removable head divider
- One streetside access door w/ 18" x 24" window w/bars
- One curbside access doors w/ 18" x 24" window w/ bars
- One pop-up two-way aluminum roof vent per stall
- Spring-loaded rear ramp w/ two top doors above
- Cam locks and locking keyed hasps on rear doors
- 19" x 26" window in two top rear doors
- Two interior LED lights in horse area
- One padded aluminum butt bar and breast bar per stall

## DRESSING ROOM FEATURES

- 3'6" straightwall dressing room w/ carpeted floor
- One interior LED light in dressing area
- Camper door w/ sliding window
- Adjustable saddle rack on removable post (one per horse)
- Blanket bar, brush tray, clothes rod and six halter hooks